



























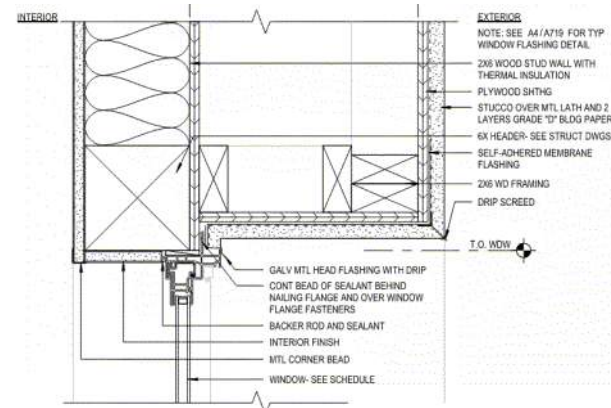








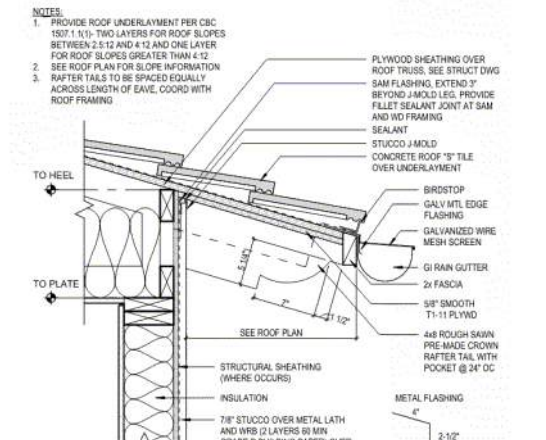
GROUND FLOOR STOREFRONT PER RETAIL AND PLACEMAKING DESIGN GUIDELINES



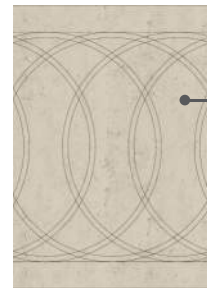
SAMPLE RECESSED WINDOW DETAIL (DEPTH TO BE DETERMINED)



CONCRETE S-TILE



SAMPLE EAVE DETAIL AT ROOF TILE



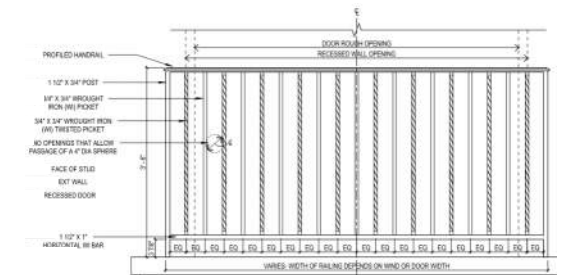
ADDED GFRC PANEL AT PARAPET



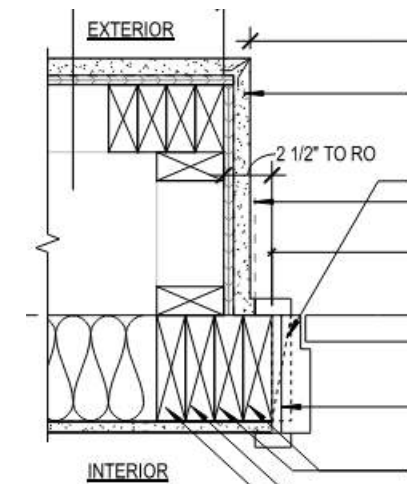
GFRC COLUMNS



ADDED COLOR CHANGE AT RECESSED WALL PLANE AND PARAPET



SAMPLE RAILING DETAIL



SAMPLE RECESSED DOOR/WINDOW JAMB DETAIL (DEPTH TO BE DETERMINED)





TRELLIS OVER STUCCO COLUMNS

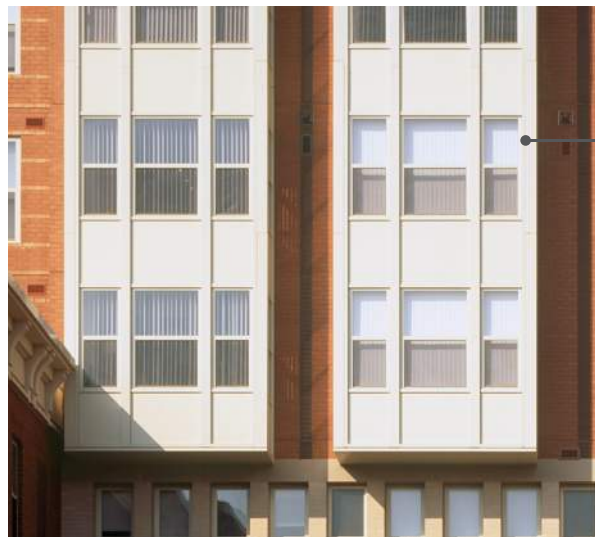
ADDED COLOR CHANGE AT TOP FLOOR



METAL ROOF



WOOD BEAM BALCONY

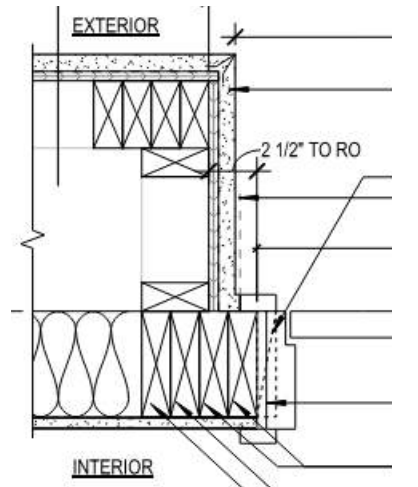


FIBER CEMENT BAY WINDOWS



SAMPLE TILE

INLAID TILE ACCENT



SAMPLE RECESSED DOOR/WINDOW JAMB DETAIL (DEPTH TO BE DETERMINED)

TOWER WITH REVISED BALCONY

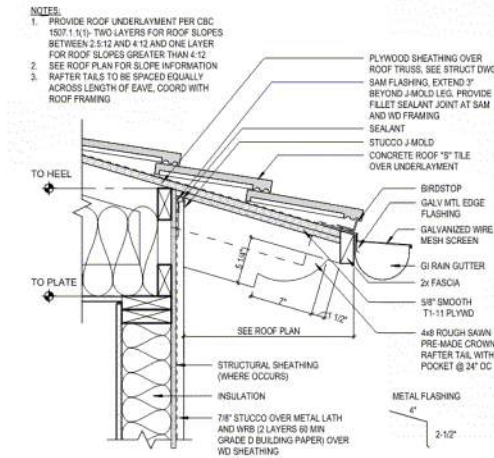




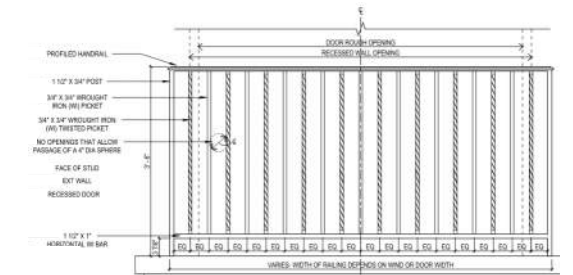
GROUND FLOOR STOREFRONT PER RETAIL AND PLACEMAKING DESIGN GUIDELINES



CONCRETE S-TILE



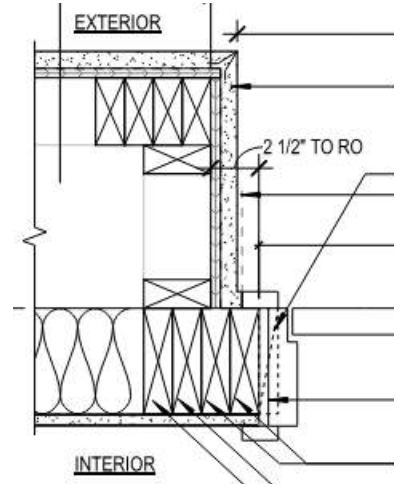
SAMPLE EAVE DETAIL AT ROOF TILE



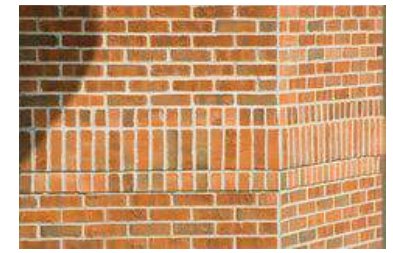
SAMPLE RAILING DETAIL



ADDED- GFRC DECORATIVE PANEL



SAMPLE RECESSED DOOR/WINDOW JAMB DETAIL (DEPTH TO BE DETERMINED)



BRICK SOLDIER COURSE

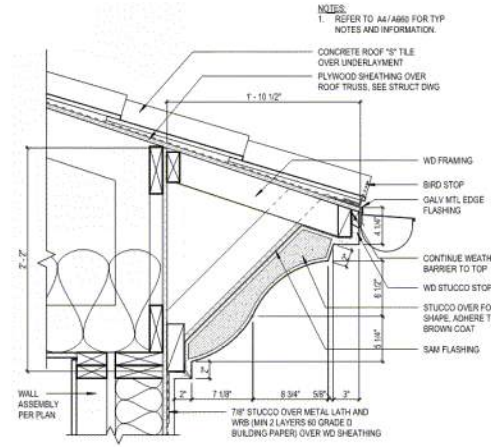


BRICK RETURN AT WINDOWS





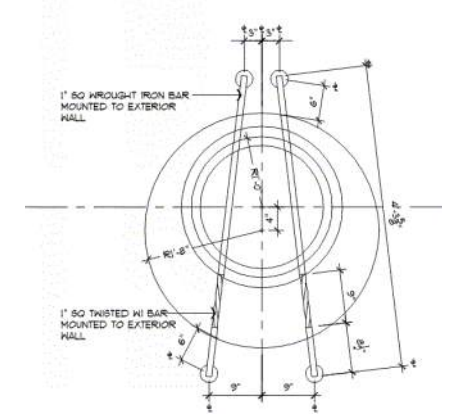
GROUND FLOOR STOREFRONT PER RETAIL AND PLACEMAKING DESIGN GUIDELINES



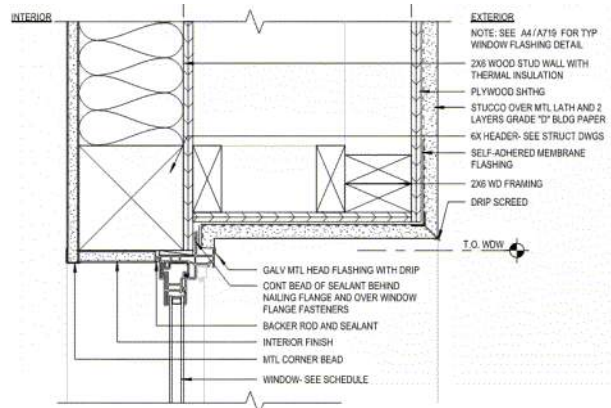
SAMPLE EAVE DETAIL (PROFILE TO BE DETERMINED)



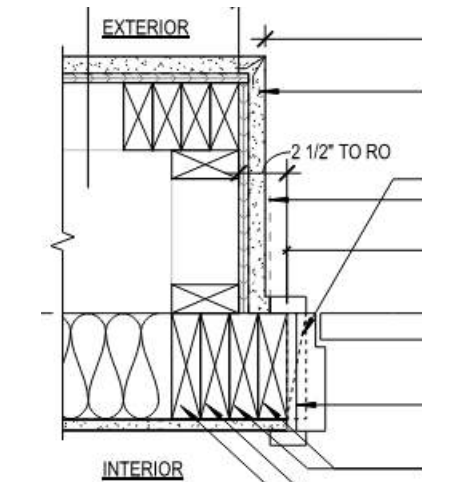
CONCRETE S-TILE



SAMPLE DECORATIVE RECESS (NO WROUGHT IRON)



SAMPLE RECESSED WINDOW DETAIL (DEPTH TO BE DETERMINED)

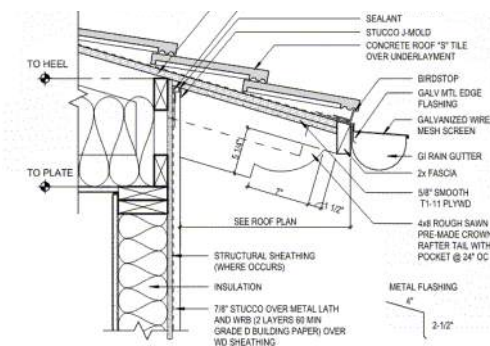


SAMPLE RECESSED DOOR/WINDOW JAMB DETAIL (DEPTH TO BE DETERMINED)

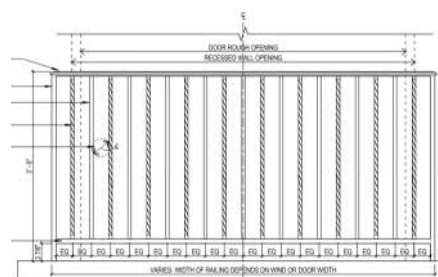




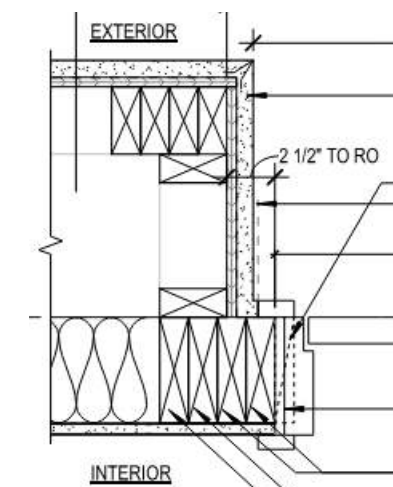
CONCRETE S-TILE



SAMPLE EAVE DETAIL AT ROOF TILE



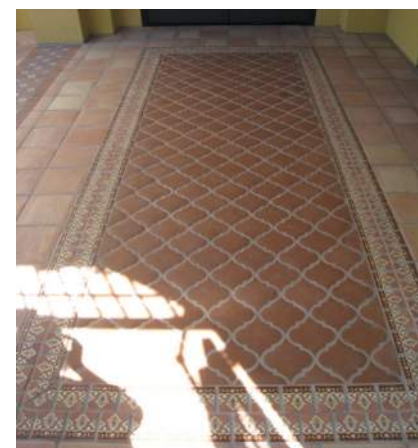
SAMPLE RAILING DETAIL



SAMPLE RECESSED DOOR/WINDOW JAMB DETAIL (DEPTH TO BE DETERMINED)



DECORATIVE TILE



SPECIAL PAVING AT ENTRY





CUP Submittal



CUP Submittal- Revised



Alternate 1



Alternate 2





CUP Submittal



CUP Submittal- Revised



Alternate 1



Alternate 2



# B3 REDLANDS BOULEVARD



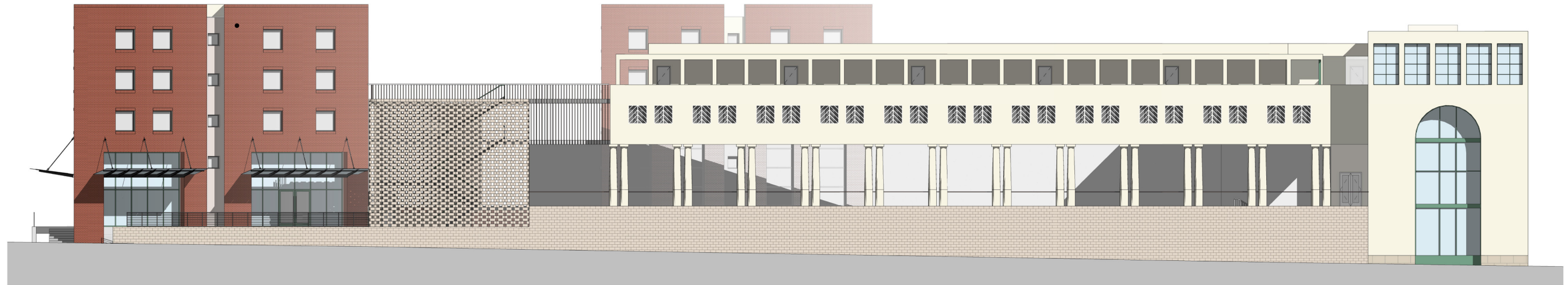
REVISED 5.02.22



# B3 REDLANDS BOULEVARD



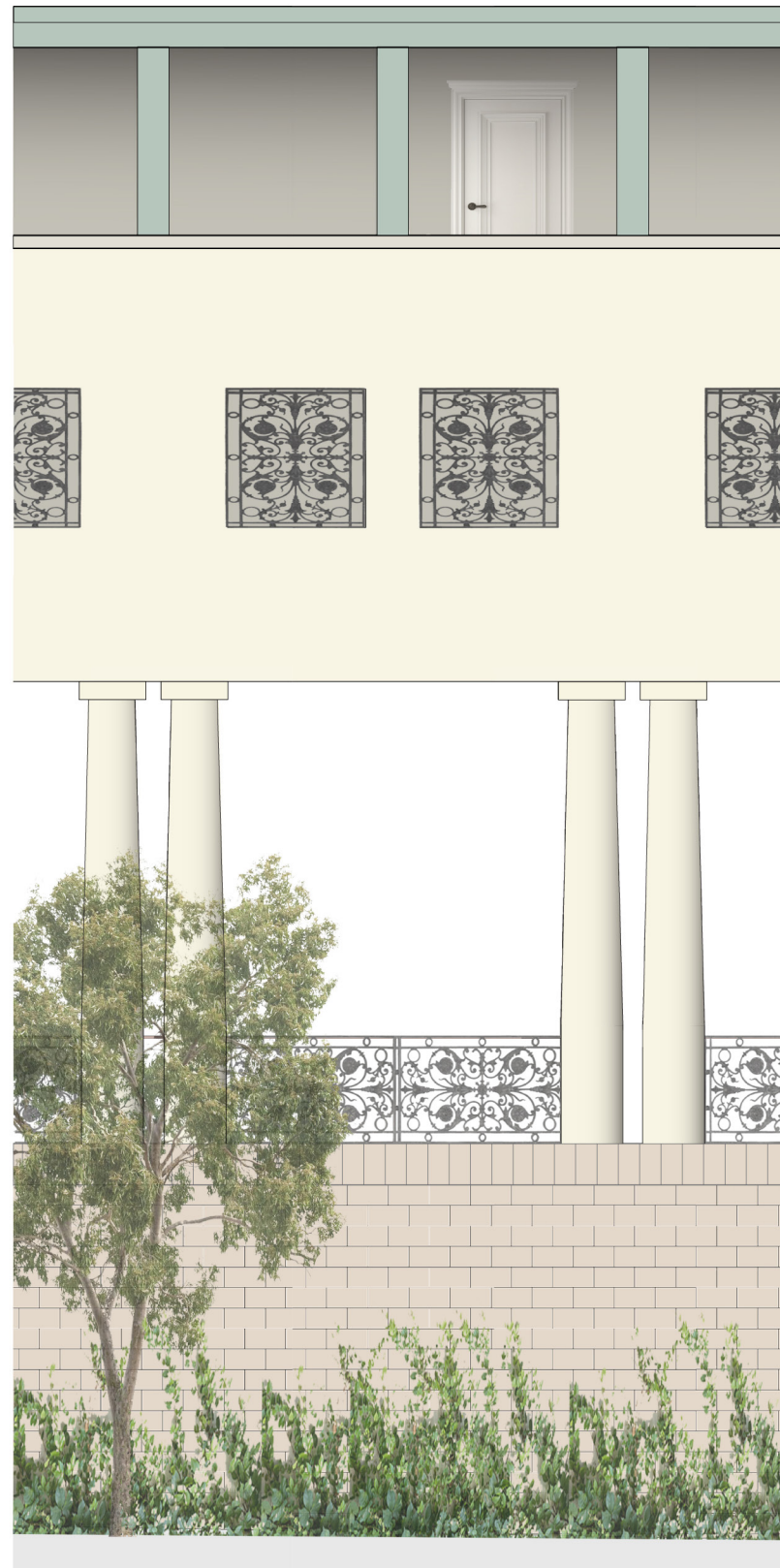
REVISED 5.02.22



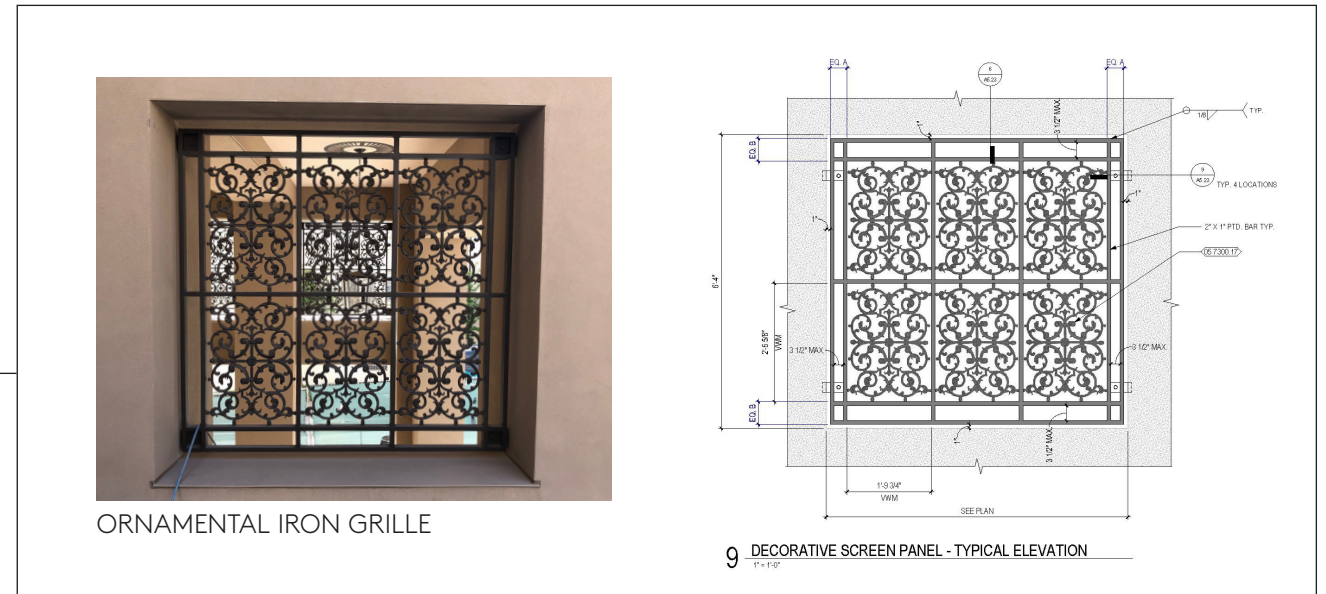
ORIGINAL



# B1 REDLANDS BOULEVARD (DETAIL)



REVISED 5.02.22



ORNAMENTAL IRON GRILLE

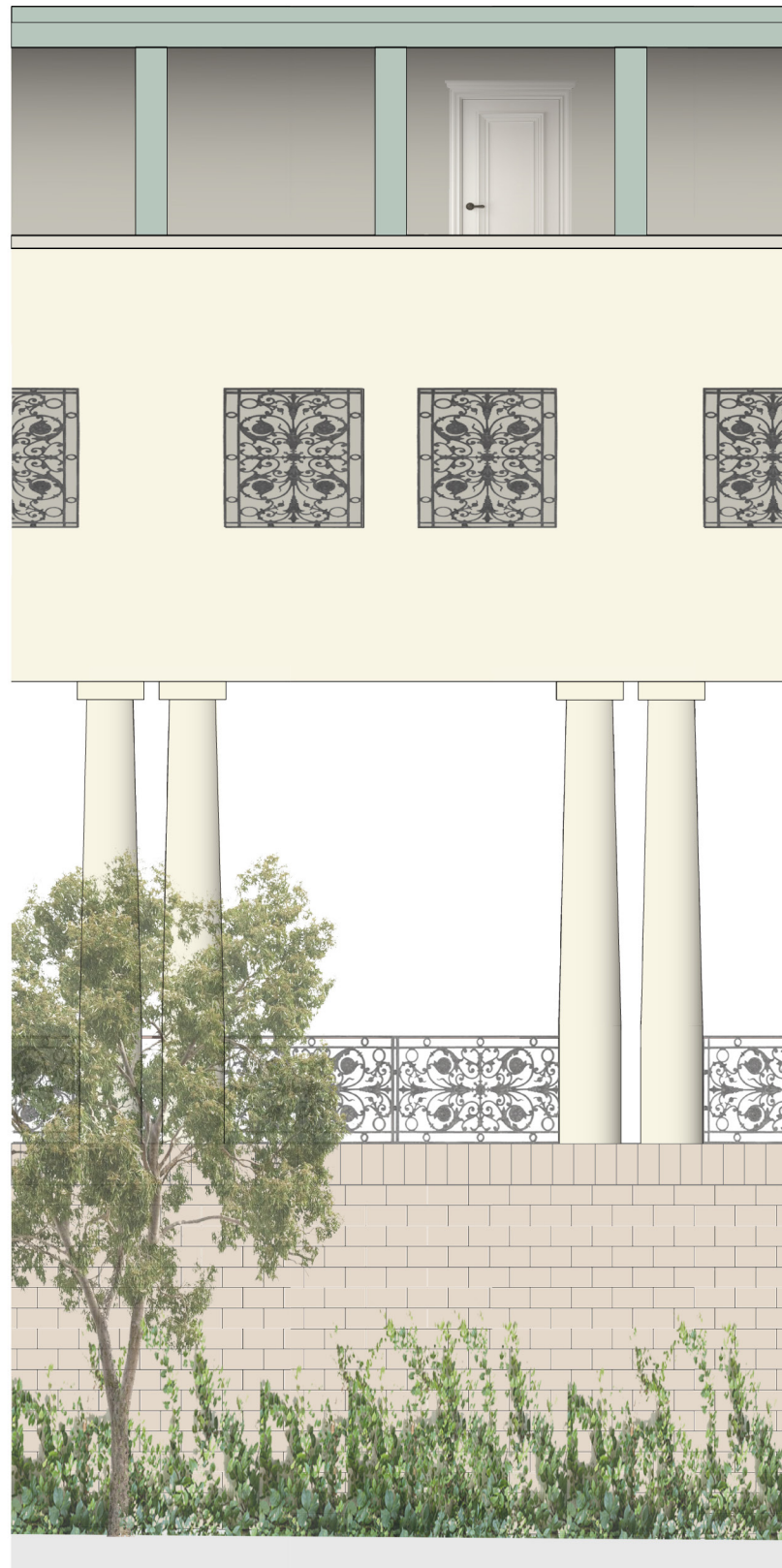
9 DECORATIVE SCREEN PANEL - TYPICAL ELEVATION  
1" = 1'-0"



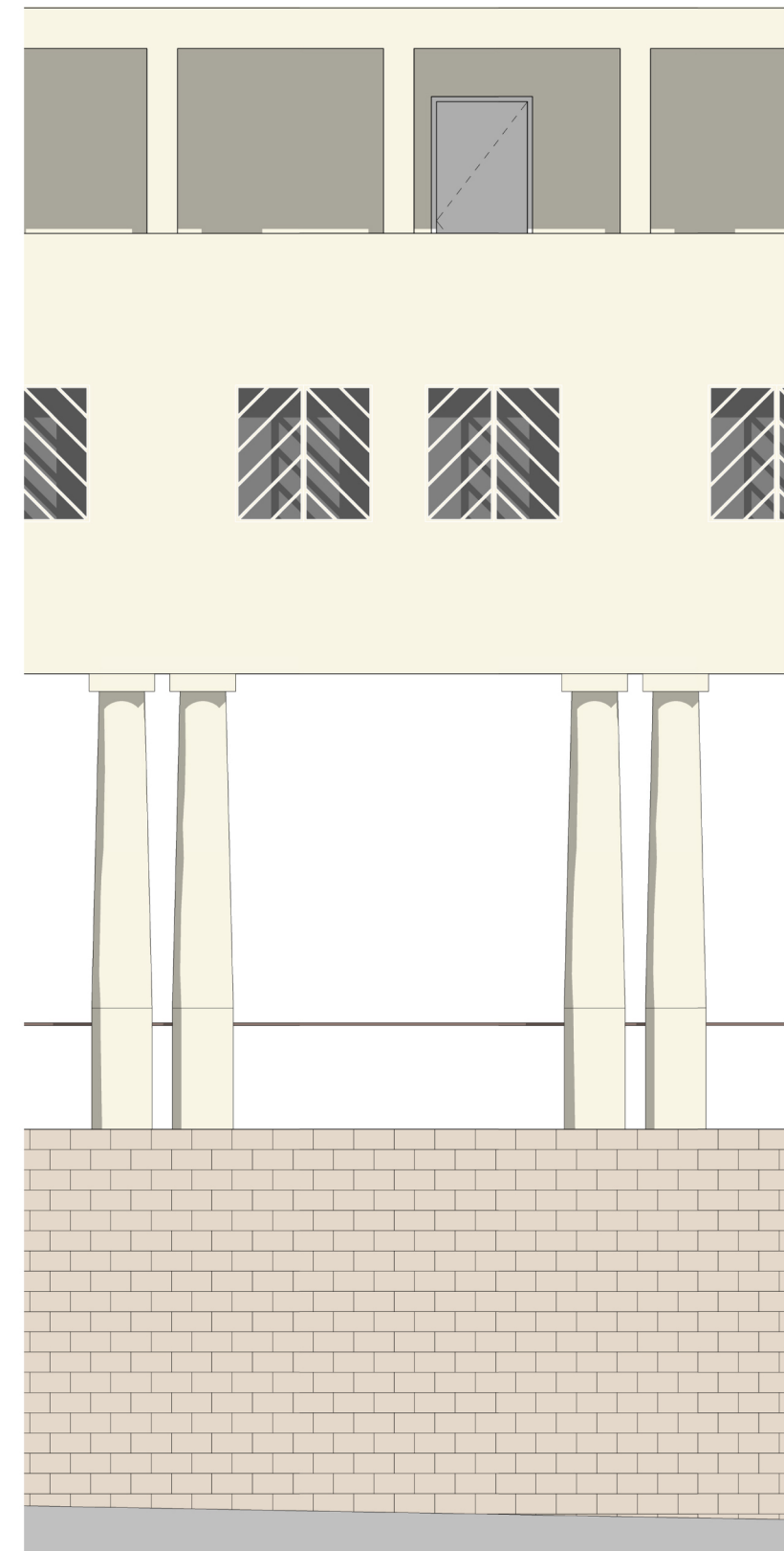
ARCADE AND LOGIA  
BEACH CHALET, WILLIS POLK ARCHITECT  
1915



# B1 REDLANDS BOULEVARD (DETAIL)



REVISED 5.02.22



ORIGINAL



# B3 EUREKA STREET (DETAIL)



FLUSH TILE DETAILING AT STUCCO



FLUSH TILE DETAILING



FLUSH TILE CORNICE



REVISED 05.02.22



# B3 EUREKA STREET (DETAIL)



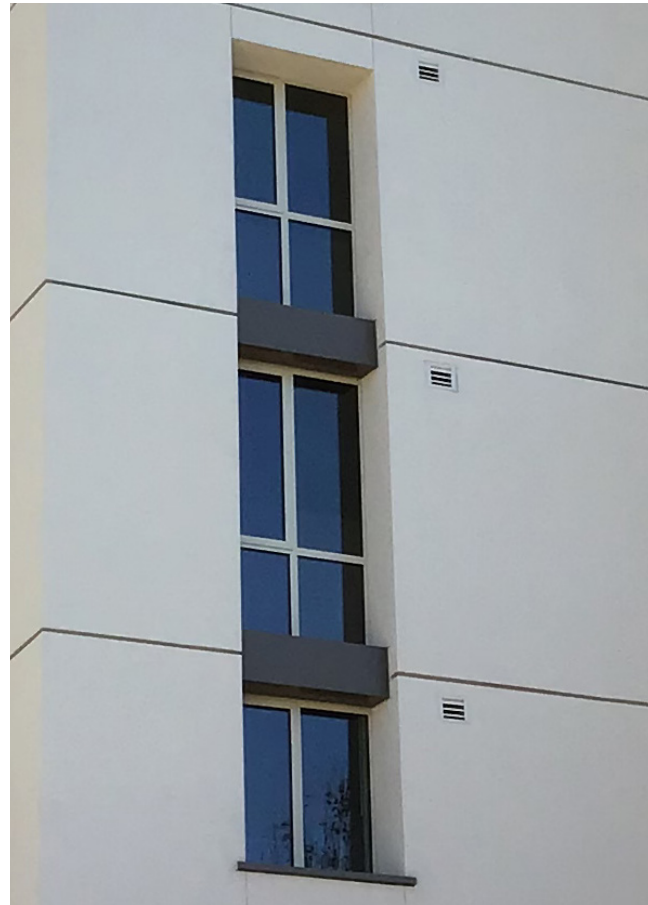
REVISED 05.02.22



ORIGINAL



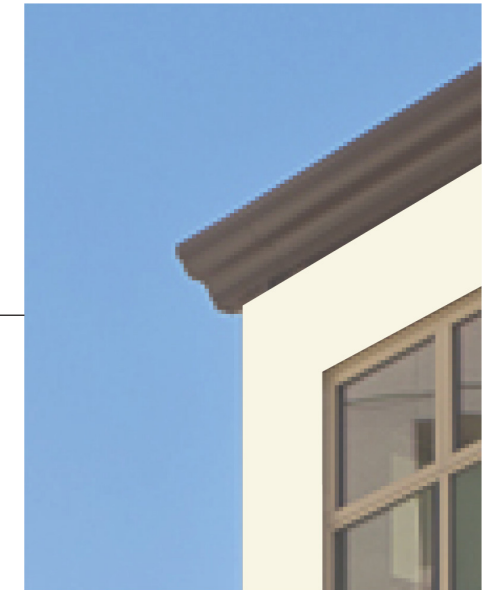
# B1 EUREKA STREET (DETAIL)



RESIDENTIAL WINDOW GATHER WITH FORMED SILL DETAILING



REVISED 05.02.22



SHEET METAL CORNICE



# B1 EUREKA STREET (DETAIL)



REVISED 5.02.22



ORIGINAL



# B1 CITRUS AVENUE



REVISED 5.02.22



# B1 CITRUS AVENUE



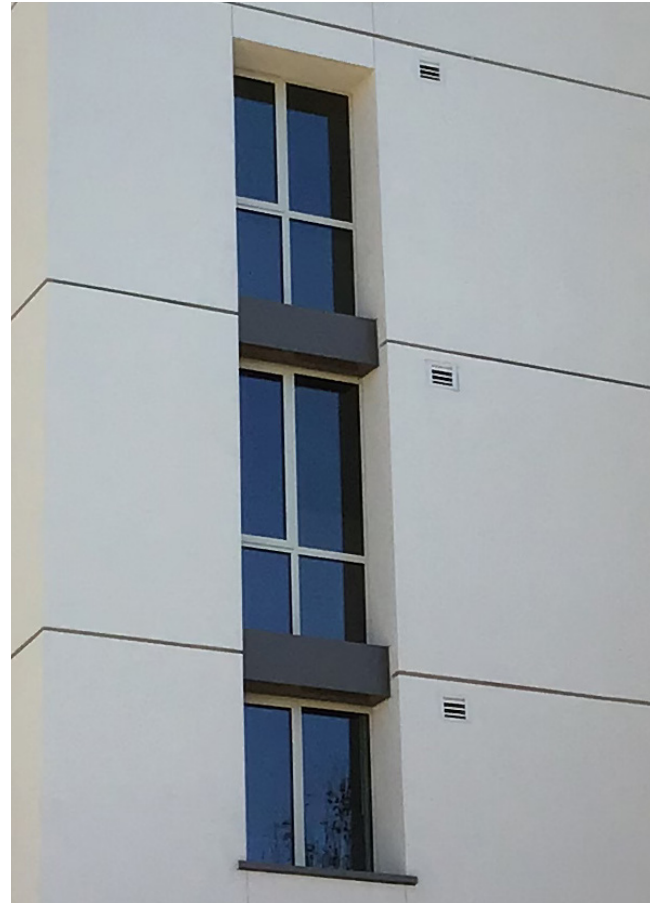
REVISED 5.02.22



ORIGINAL



# B1 CITRUS AVENUE (DETAIL)



RESIDENTIAL WINDOW GATHER WITH FORMED SILL DETAILING



REVISED 5.02.22



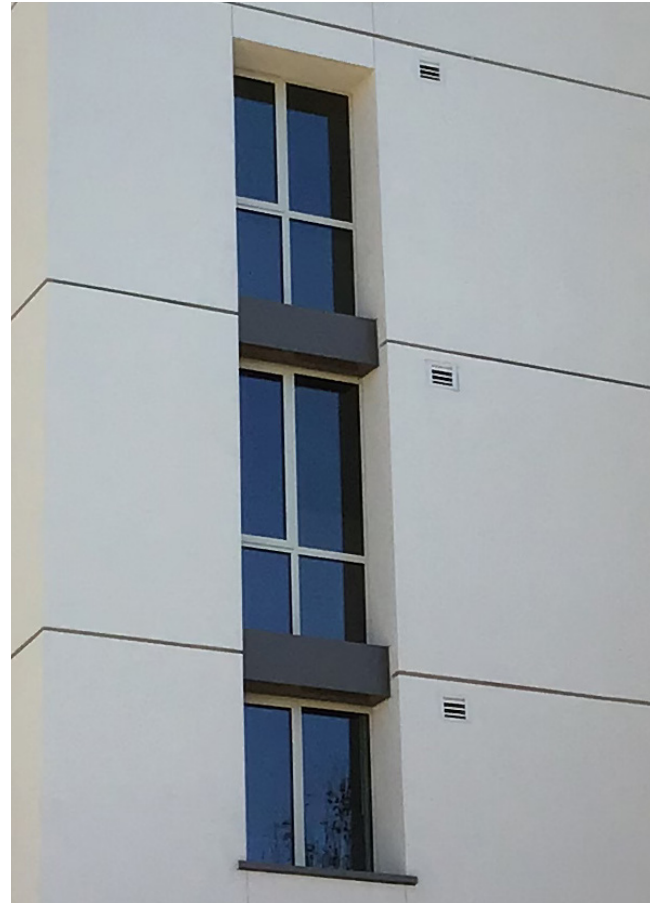
FLUSH TILE CORNICE



ALTERNATING THICK BRICK - THIN BRICK DETAILING



# B1 CITRUS AVENUE (DETAIL)



RESIDENTIAL WINDOW GATHER WITH FORMED SILL DETAILING



OXIDIZED COPPER SHEET DOME

REVISED 5.02.22











