

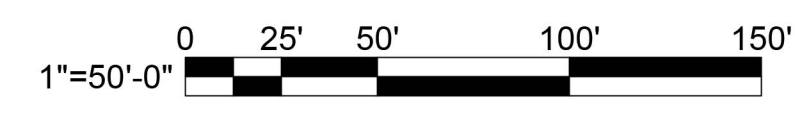


PLANT LEGEND

SYMBOL	BOTANICAL NAME	COMMON NAME	SIZE
TREES			
	Acacia stenophylla	Shoestring Acacia	24" B
	Aloe bainesii	Tree Aloe	24" B
	Cercidium hybrid 'Desert Museum'	Hybrid Palo Verde	24" B
	Cupressus sempervirens	Italian Cypress	24" B
	Chitalpa taskentensis 'Pink Dawn'	Pink Dawn Chitalpa	24" B
	Citrus Spp.	Citrus species	24" B
	Jacaranda mimosifolia	Jacaranda	36" B
	Magnolia grandiflora 'Saint Mary'	Southern Magnolia	36" B
	Olea Europaea	Olive Tree	14x14 Field Grown 24" B
	Platanus racemosa	California Sycamore	24" B
	Podocarpus gracilior	Fern Pine	24" B
	Rhus calleryana 'Bradford'	Bradford Pear	24" B
	Rhus lancea	African Sumac	48" B
	Specimen Tree	To be selected	72" B
	Tristania conferta	Brisbane Box	36" B
	Street tree		
PALMS			
	Phoenix dactylifera	Date Palm	20" BTH
SHRUBS			
	Agave 'Blue Flame'	Blue Flame Agave	5G
	Agave weberi	Weber's Century Plant	5G
	Aloe striata	Coral Aloe	5G
	Antigonon hybrid	Dwarf Kangaroo Paw	5G
	Asparagus 'Myers'	Myer's Asparagus	5G
	Bougainvillea 'La Jolla'	Bougainvillea	5G
	Buxus microphylla	Japanese Boxwood	5G
	Carex tumulicola	Football Sedge	5G
	Chondrostachyum tectorum	Cape Rush	5G
	Dianella revoluta 'DR5000'	Little Rev Flax Lily	5G
	Dianella 'Silver Streak'	Silver Streak Flax Lily	5G
	Euphorbia tirucalli	Sticks on Fire	5G
	Myoporum pacificum	Myoporum	5G
	Ptilosporum tobira	Tobira	5G
	Strelitzia reginae	Bird-of-Paradise	5G
	Trachelospermum jasminoides	Star Jasmine	5G

- ### LEGEND
- VEHICULAR MAIN ENTRY
 - UNIT PAVERS MOTOR COURT W/ ZERO CURB
 - DECORATIVE BOLLARDS DEFINE THE SPACE
 - LOW STONE VENEER ACCENT/MONUMENT WALLS
 - CENTRAL DRIVEWAY
 - DUAL SLIDING GATES (GATES MATCH POCKET WALLS WHEN CLOSED)
 - CLUB BUILDING
 - PEDESTRIAN COLONNADE BETWEEN CLUB BUILDING AND POOL W/ BBQ & FIRE TABLES
 - LARGE LEAVES PROVIDE SHADE
 - PALM GROWING THRU CUT CIRCLES IN THE ROOF
 - POOL AREA
 - LARGE RESORT STYLE POOL
 - BUILT-IN CABANAS W/ LARGE EXTENDED ROOF FOR SHADE
 - SYNTHETIC TURF PANELS
 - KIDS CLUB
 - 1ST FLOOR CLUB PLAY ROOM
 - LARGE OUTDOOR TOT LOT PLAY AREA
 - CENTRAL SPINE GREEN BELT
 - 40' TO 60' WIDE LINEAR EAST/WEST GARDEN
 - 6' DECORATIVE WALKWAYS
 - CENTRAL TURF OVAL FRAMED BY TREES W/ WOOD TILE SEAT AREA
 - THEMED SHADE STRUCTURE TO COVER WALKS AT BUILDING ENTRIES ALONG OUTDOOR SEATING AREAS
 - ENCLOSED DOG PARK
 - INTERNAL COURTYARDS
 - LUSHLY LANDSCAPED
 - SYNTHETIC TURF PANELS
 - BBQ NODES W/ WOOD TILE PAVING
 - EVA SLIDING GATE
 - TOWNHOME VEHICULAR ENTRY
 - DECORATIVE PAVING MOTOR COURT
 - SLIDE GATES W/ CENTRAL DIRECTORY
 - CENTRAL REC BUILDING
 - GRAND COVERED PEDESTRIAN ENTRY
 - ENTERTAINMENT COURTYARD W/ FIRE PIT AND LOUNGE SEATING OVERLOOKS SUNKEN POOL
 - SUNKEN POOL AREA
 - FORMAL 30X70 POOL
 - LARGE SUN DECK
 - BACKDROP SHADE STRUCTURE
 - INTERNAL LANDSCAPE PASEO
 - PRIVATE PATIO W/ LOW COURTYARD WALLS
 - TASTEFUL LANDSCAPED 40' WIDE PASEO
 - DECORATIVE INTERSECTION NODES W/ LARGE URNS
 - PUBLIC OPEN SPACE PARKLET
 - SINGLE FAMILY FRONT YARD LANDSCAPING TO MATCH NEIGHBORHOOD CHARACTERS

PRELIMINARY SITE PLAN



L-1.0

THE NEIGHBORHOODS AT LUGONIA VILLAGE

REDLANDS, CA

REDLANDS SUMMIT LLC
1705 OAK GROVE AVE., SAN MARINO, CA 91108

SITE SCAPES
Landscape Architecture & Planning
3190-B2 Airport Loop Drive
Costa Mesa, CA 92626
Richard Palomares, License # 2792
(949) 644-9370 FAX (714) 210-3140

AO ARCHITECTS
144 NORTH ORANGE ST., ORANGE, CA 92866
(714) 639-9860

DATE: 11-29-21
JOB NO.: 2021-046

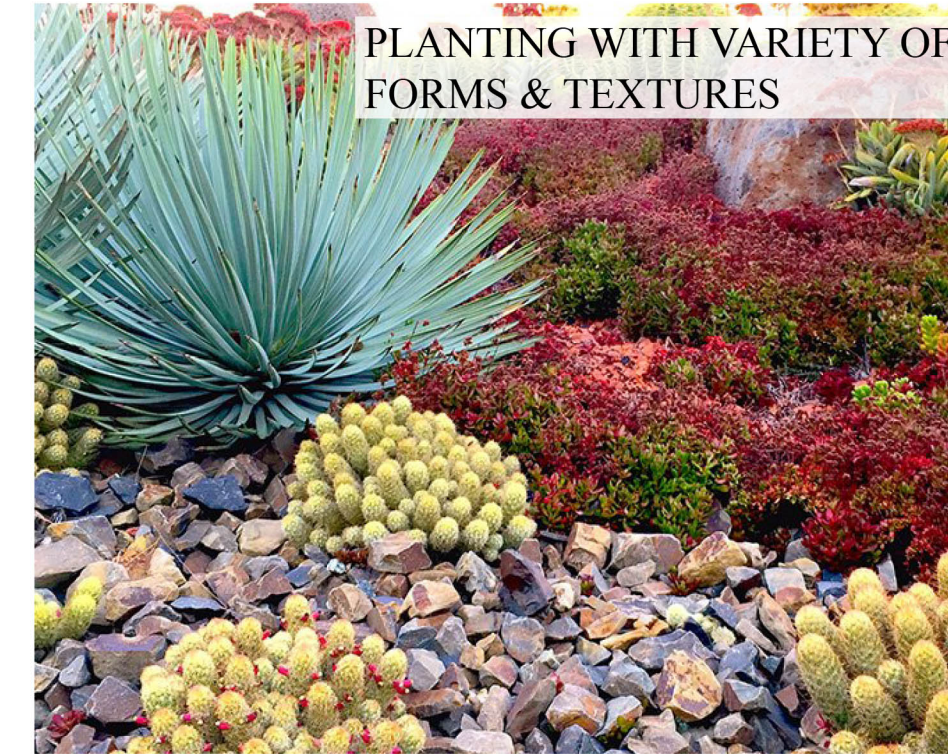




LANDSCAPE AS SCULPTURE



HARDSCAPE & SOFTSCAPE WORKING TOGETHER TO CREATE FORM & SCULPTURE



PLANTING WITH VARIETY OF FORMS & TEXTURES



BACKDROP PLANTING - SINGLE SPECIES



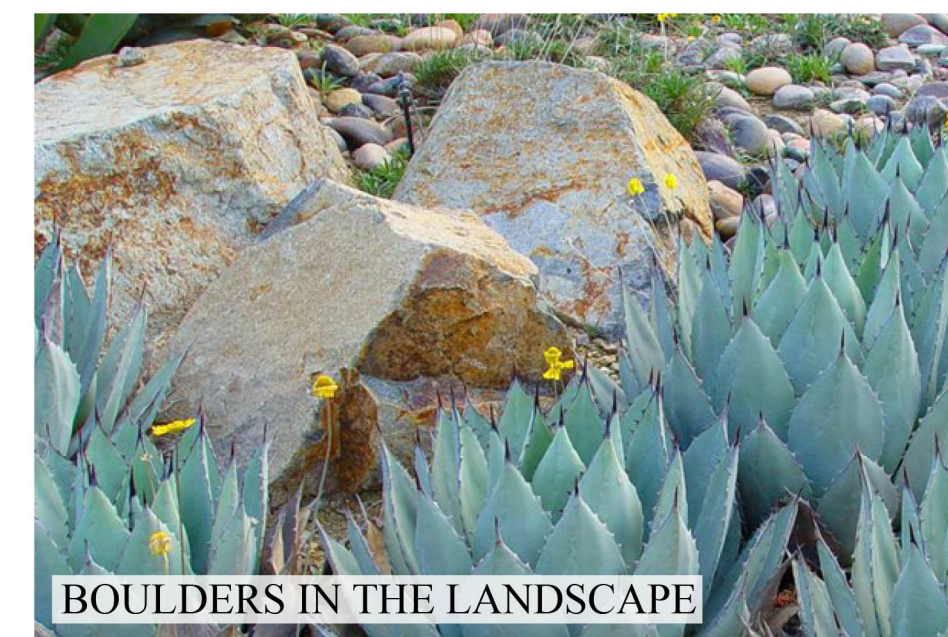
PALMS TO PROVIDE VARIETY OF ELEVATIONS & TO HELP DEFINE SPACES



USE PLANTS & GROUNDCOVER AS SCULPTURAL OPPORTUNITIES



INDOOR / OUTDOOR SPACES



BOULDERS IN THE LANDSCAPE



TREES CREATING OUTDOOR ROOMS



USING HARDSCAPE, WALLS & PLANTS TO CREATE BALANCE



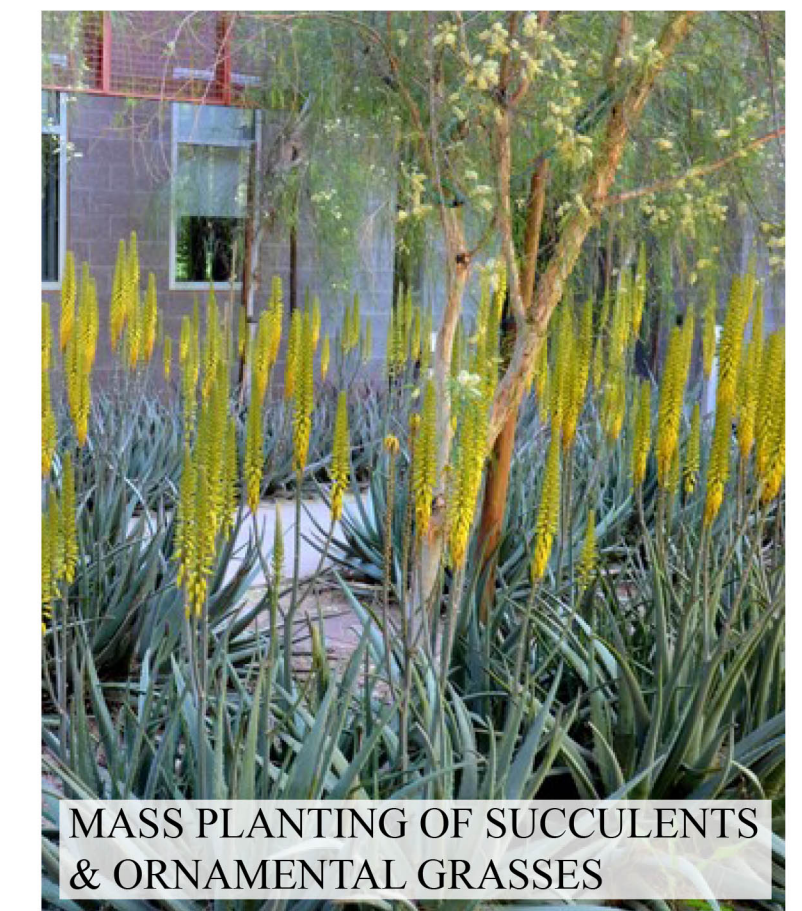
LARGE COVERED WALKWAY



LOW WALL & SYN. TURF TO CREATE INTEREST & TO PROVIDE FUNCTION



SILHOUETTE LIGHTING



MASS PLANTING OF SUCCULENTS & ORNAMENTAL GRASSES



PANEL GATES - CLEAR OR SCREENED



POTS TO PROVIDE POPS OF COLOR



UNIQUE FENCING



MIXTURE OF WARM & COOL HARDSCAPE ELEMENTS

PLANTING INSPIRATION

DESIGN INSPIRATION

DESIGN INSPIRATION

L-2.0

THE NEIGHBORHOODS AT LUGONIA VILLAGE

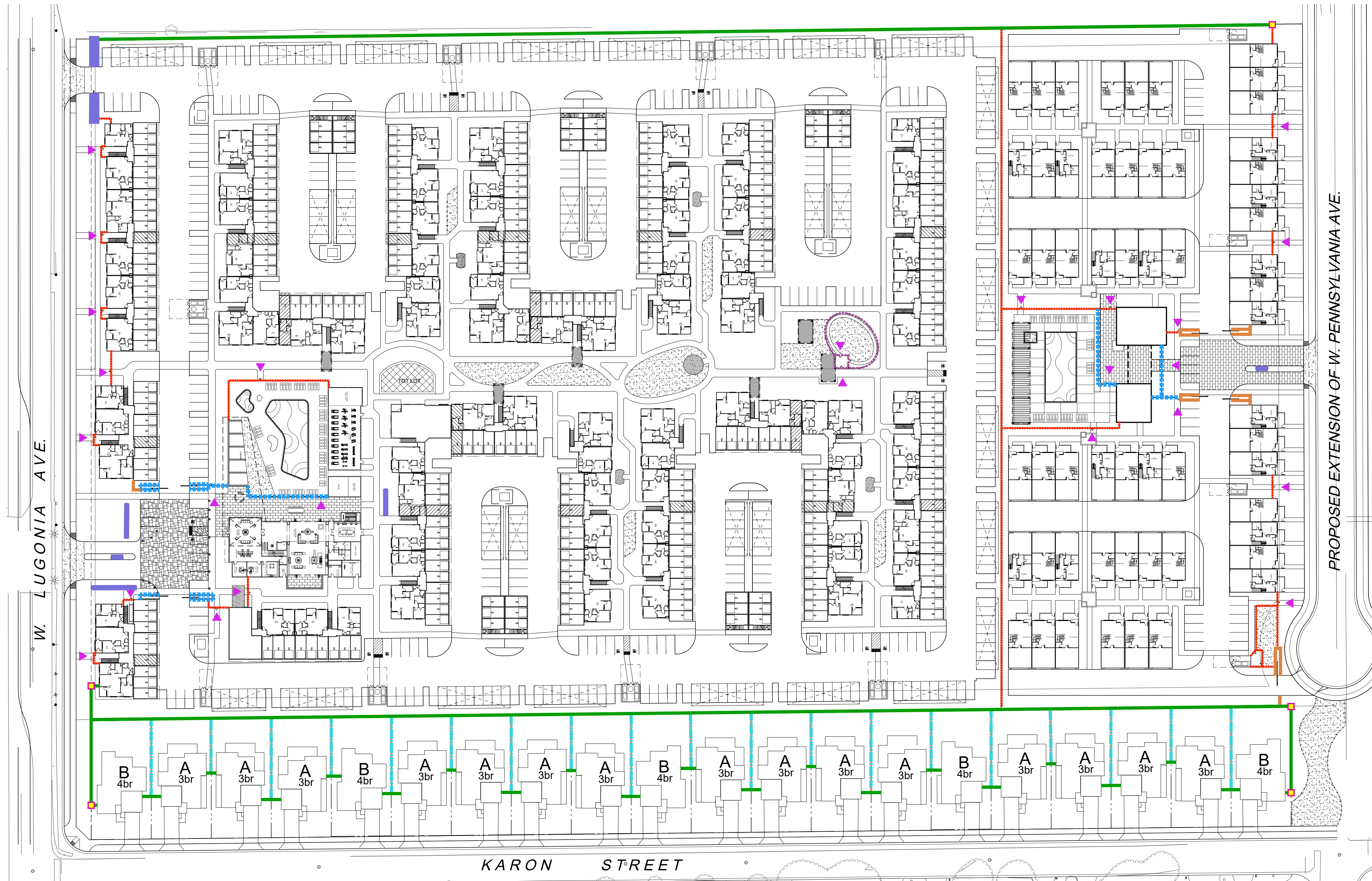
REDLANDS, CA

REDLANDS SUMMIT LLC
1705 OAK GROVE AVE., SAN MARINO, CA 91108

S I T E S C A P E S
Landscape Architecture & Planning
3190-82 Airport Loop Drive
Costa Mesa, CA 92626
Richard Pothmann, License # 2782
(949) 644-9370 FAX (714) 210-3140

DATE: 11-29-21
JOB NO.: 2021-046
AO ARCHITECTS
144 NORTH ORANGE ST., ORANGE, CA 92866
(714) 639-9860



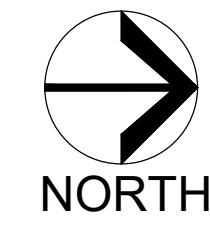
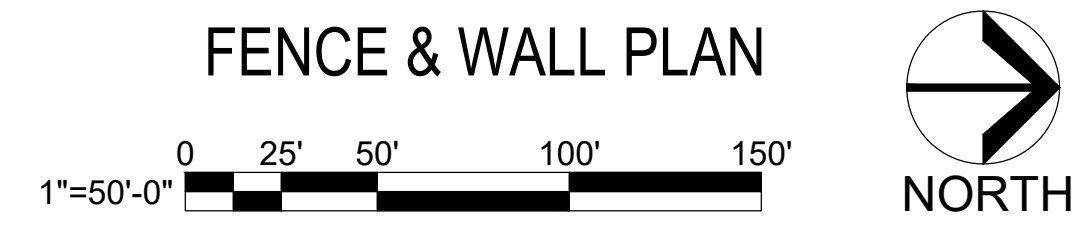


LEGEND

- TUBULAR STEEL VIEW FENCE
- DOG PARK FENCE
- 6' HT. SPLIT FACE BLOCK WALL
- ▤ PRIVACY VINYL FENCE
- ▥ PLEXIGLASS PANEL WALL (OPAQUE OR CLEAR) WALL
- STONE VENEER WALL
- ▬ SMOOTH STUCCO ENTRY WALL
- PILASTER
- ▲ PEDESTRIAN GATE

THE NEIGHBORHOODS AT LUGONIA VILLAGE
 REDLANDS SUMMIT LLC
 1705 OAK GROVE AVE., SAN MARINO, CA 91108

REDLANDS, CA



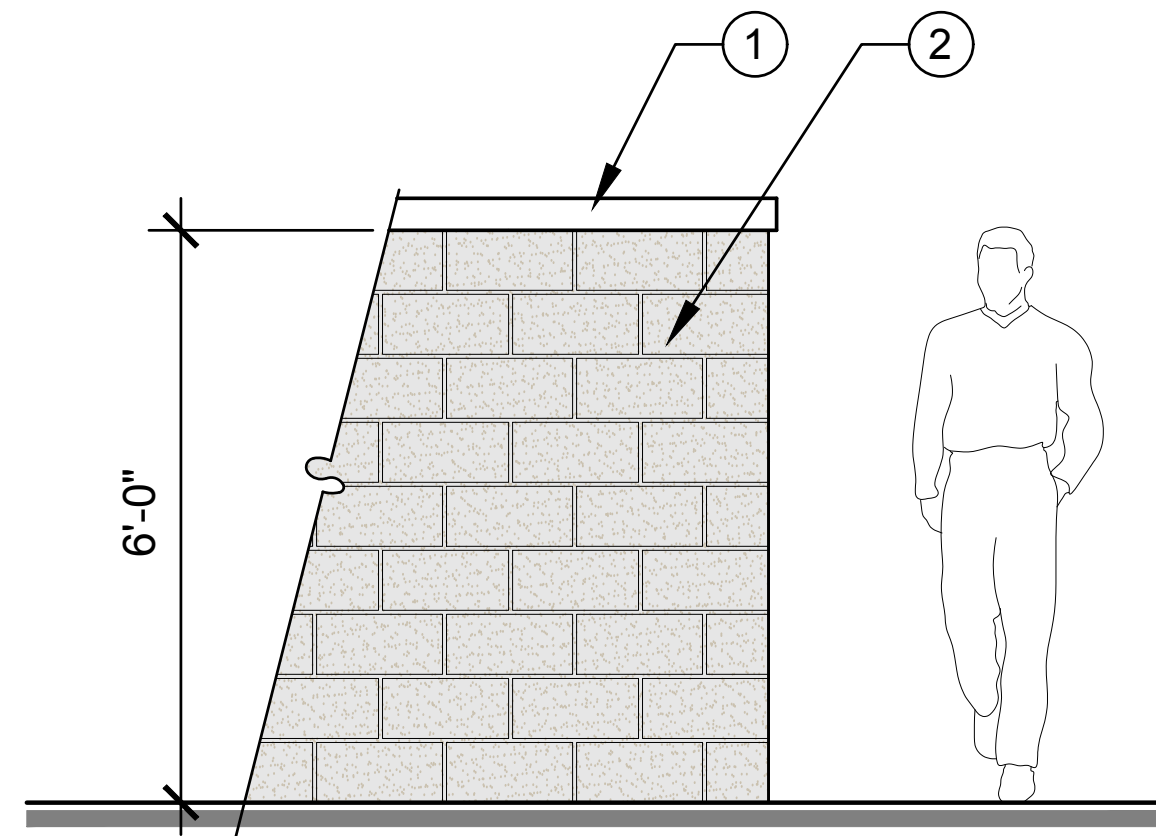
L-3.0

DATE: 11-29-21
 JOB NO.: 2021-046



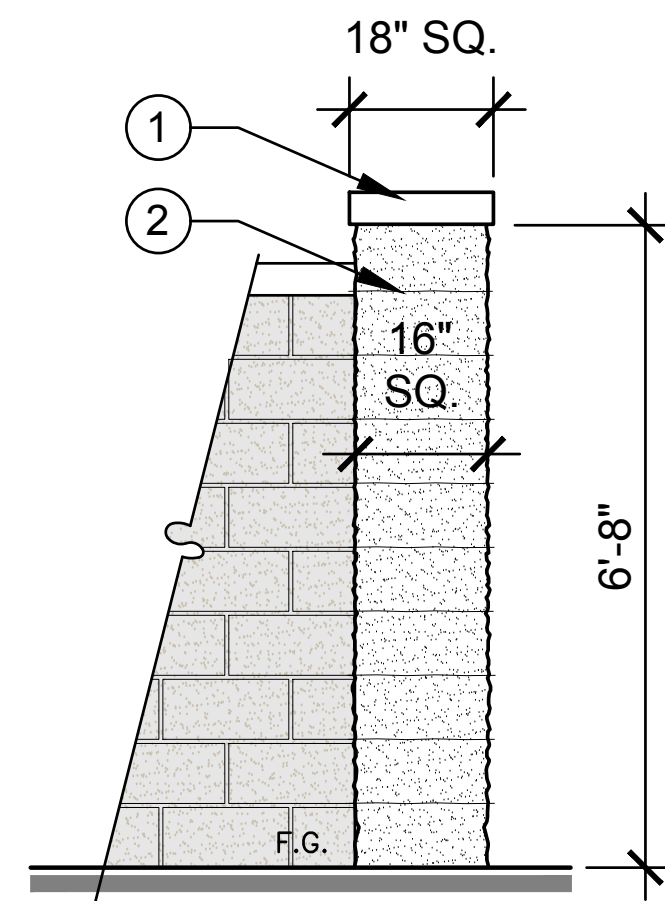
AO ARCHITECTS
 144 NORTH ORANGE ST., ORANGE, CA 92866
 (714) 639-9860





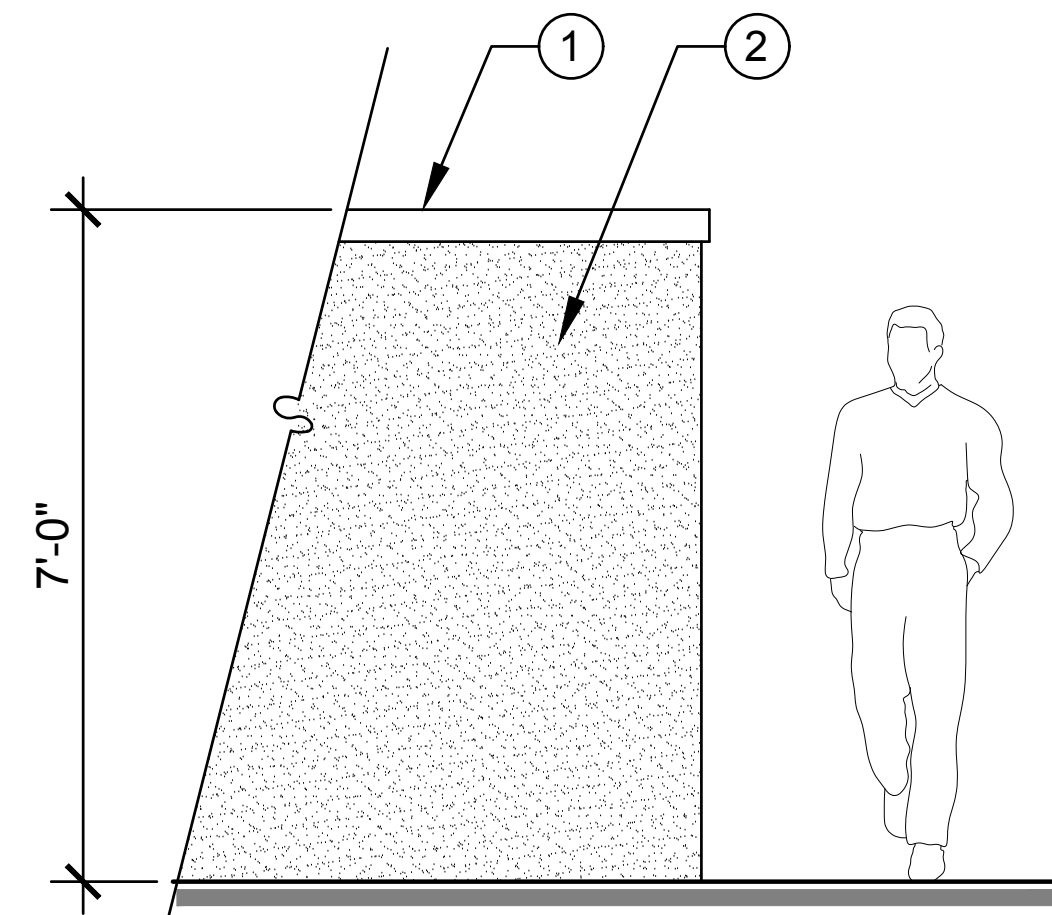
- ① 4" THICK PRECAST CONCRETE CAP
- ② 6x8x16 SPLIT FACE CMU WALL
COLOR: TAN

6' HT. SPLIT FACE BLOCK WALL



- ① 4" THICK PRECAST CONCRETE CAP
- ② 6x16x16 CMU BLOCK COLUMN W/
SMOOTH STUCCO FINISH

PILASTER



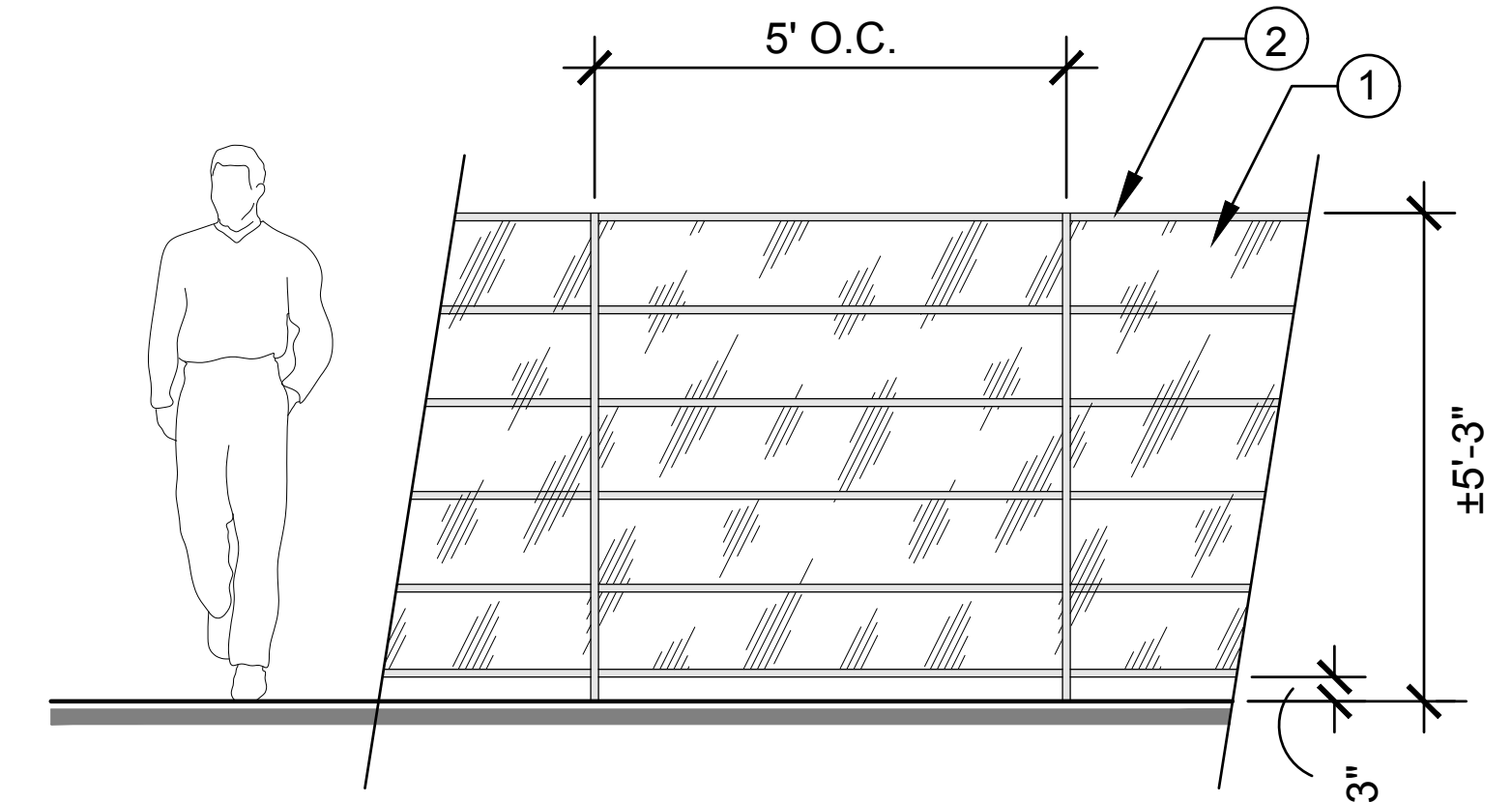
- ① 4" THICK PRECAST CONCRETE CAP
- ② 8x8x16 CMU BLOCK WALL
W/ SMOOTH STUCCO FINISH

SMOOTH STUCCO ENTRY WALL

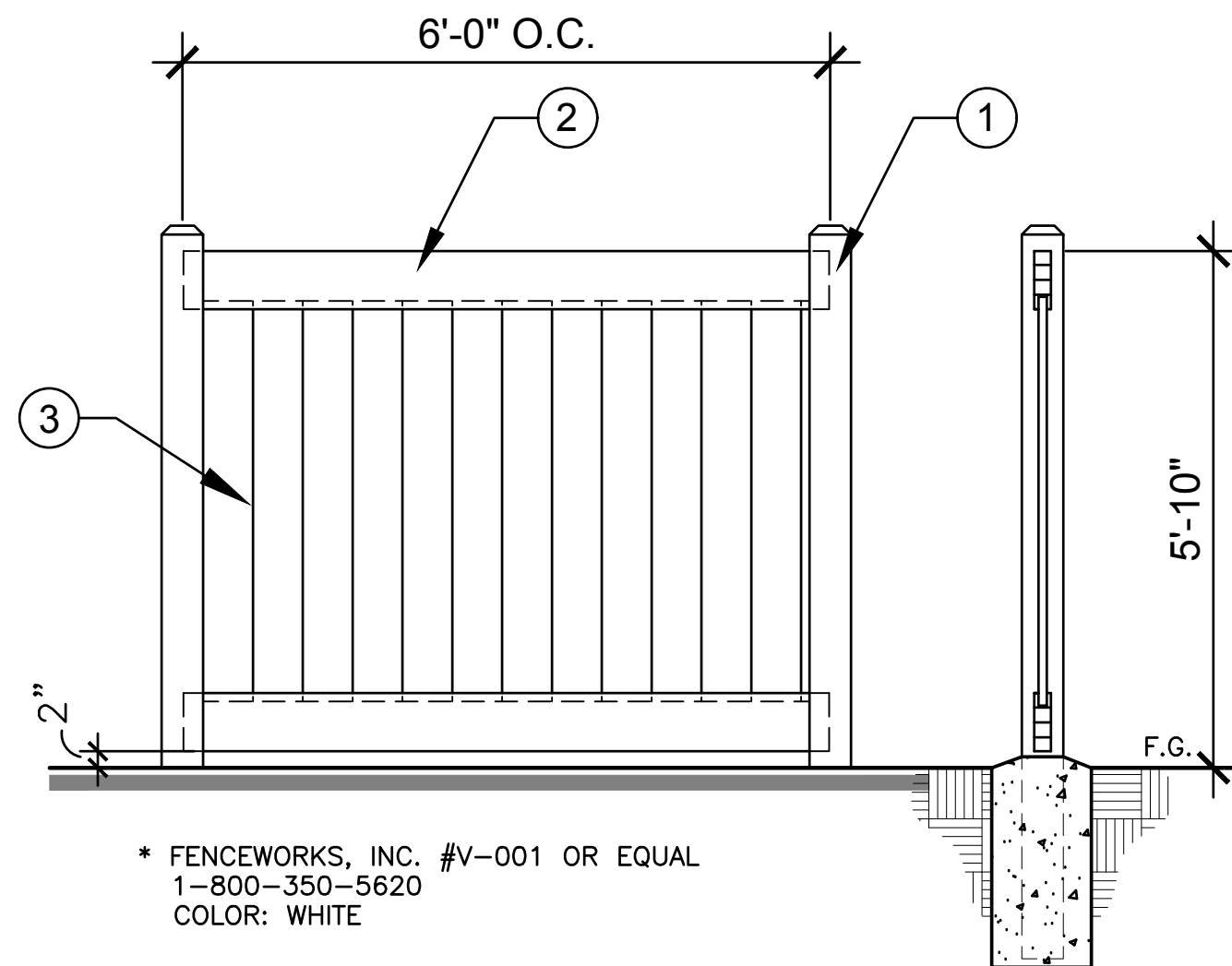


VEHICULAR ENTRY GATE
* OPAQUE GLASS PANEL @
ENTRY GATE

- ① GLASS PANEL WALL
(OPAQUE &/OR CLEAR
GLASS PANEL)
- ② METAL FRAME

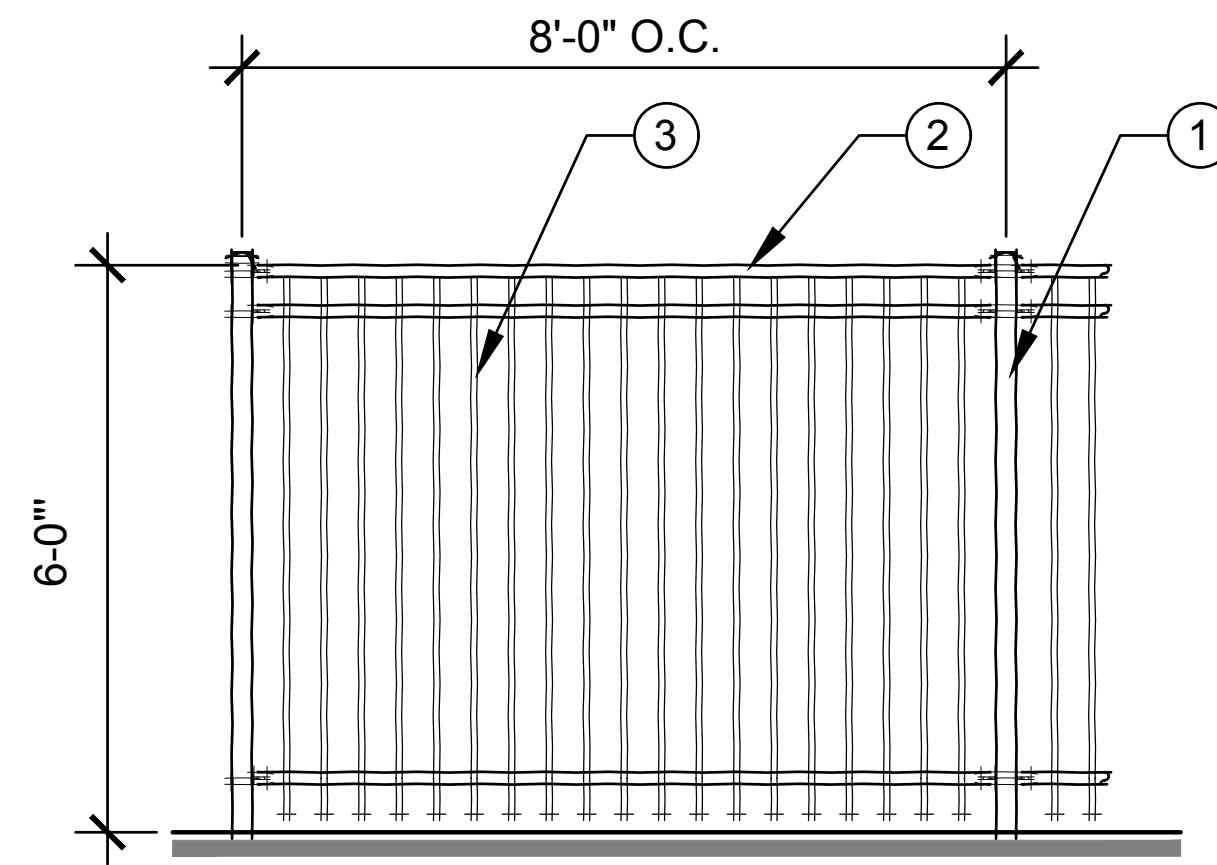


5' HT. GLASS WALL



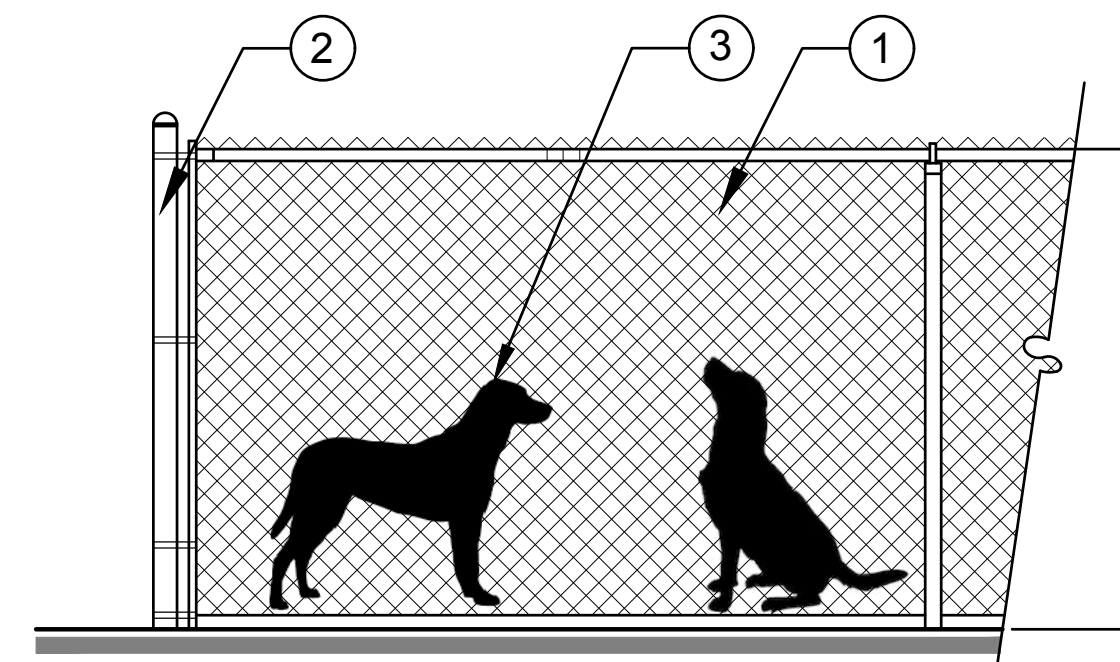
- * FENCEWORKS, INC. #V-001 OR EQUAL
1-800-350-5620
COLOR: WHITE
- ① 5" SQ. VINYL POST W/ Z POST METAL INSERT W/ DOMED CAP
 - ② 2" X 6 1/2" TOP & BOTTOM RAILS W/ Z RAIL METAL
INSERTS FOR BOTTOM RAIL
 - ③ 1" X 8" TONGUE & GROOVE

PRIVACY VINYL FENCE



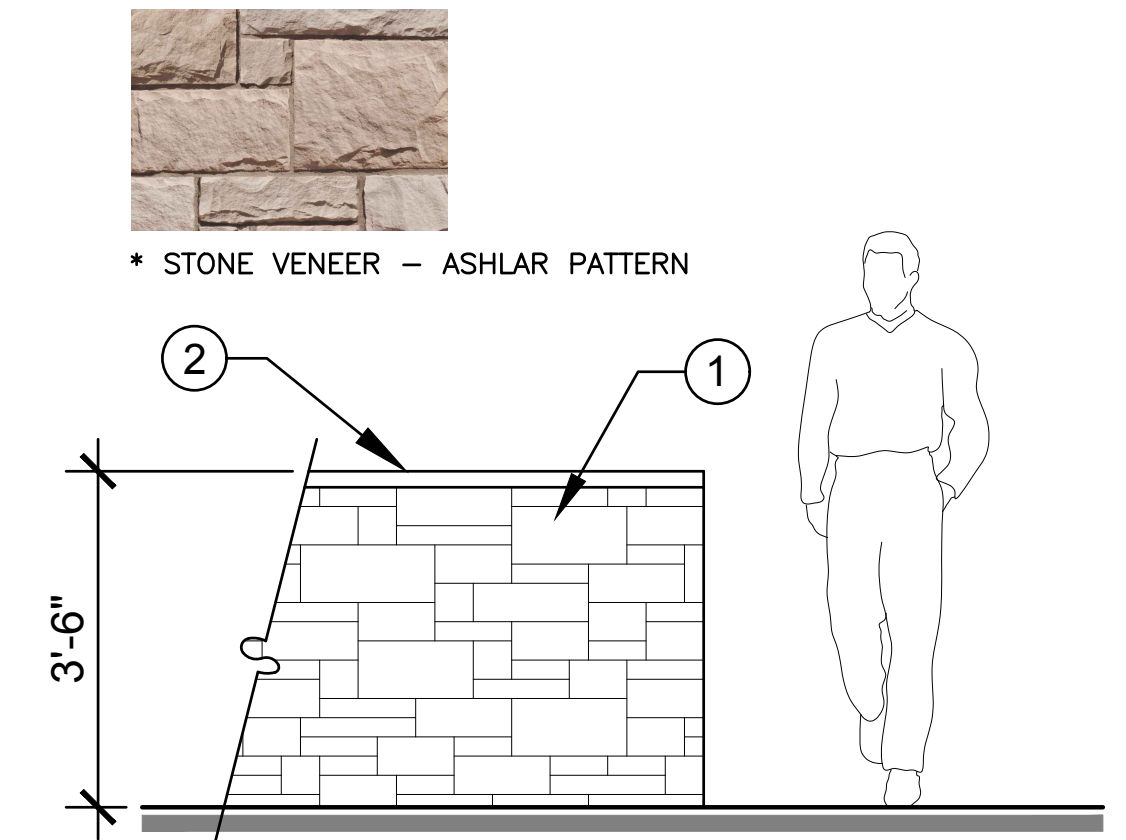
- * AMERISTAR FENCE - MAJESTIC 3-RAIL W/
EXTENDED PICKETS OR APPROVED EQUAL.
- ① 2 1/2" SQ. FENCE POST
 - ② 1 1/2" SQ. TOP & BOTTOM RAILS
 - ③ 5/8" SQ. PICKETS @ 4" O.C. MAX.

TUBULAR STEEL VIEW FENCE



- ① VINYL CLAD CHAIN-LINK FENCE
COLOR: BLACK
- ② 3" DIA. TUBULAR STEEL POST @ 8' O.C. MAX.
- ③ DOG BREED SIGN BOARD BY OTHERS

DOG PARK FENCE



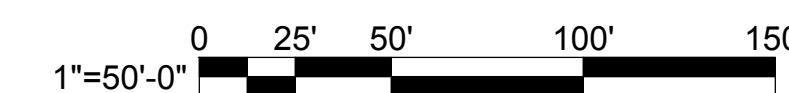
* STONE VENEER - ASHLAR PATTERN

- ① 8" WIDE CMU BLOCK WALL W/
STONE VENEER
- ② 2" THICK PRECAST CONCRETE CAP

LOW STONE WALL



FENCE & WALL DETAILS



THE NEIGHBORHOODS AT LUGONIA VILLAGE

REDLANDS SUMMIT LLC
1705 OAK GROVE AVE., SAN MARINO, CA 91108

REDLANDS, CA



AO ARCHITECTS
144 NORTH ORANGE ST., ORANGE, CA 92866
(714) 639-9860

DATE: 11-29-21
JOB NO.: 2021-046

L-4.0

