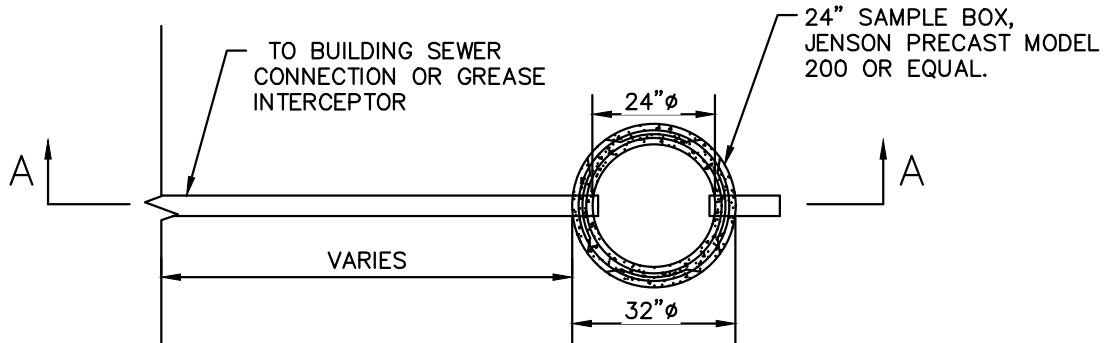


SECTION A-A



PLAN VIEW

NOTES

1. TANK SHALL BE DESIGNED FOR H-20 TRAFFIC WHEEL LOAD WITH DRY SOIL CONDITIONS (WATER TABLE BELOW TANK).
2. SUITABLE NATIVE SOIL OR CRUSHED AGGREGATE BASE SHALL BE COMPACTED TO 90% RELATIVE COMPACTION AND LEVELLED.

CITY OF REDLANDS MUNICIPAL UTILITIES AND ENGINEERING DEPARTMENT

SAMPLE BOX

STD. DWG. NUMBER

228

APPROVED:

DATE 01/03/2023

REV.	BY	DATE

Goutam K. Dobey, City Engineer RCE 75646

SHEET 1 OF 1